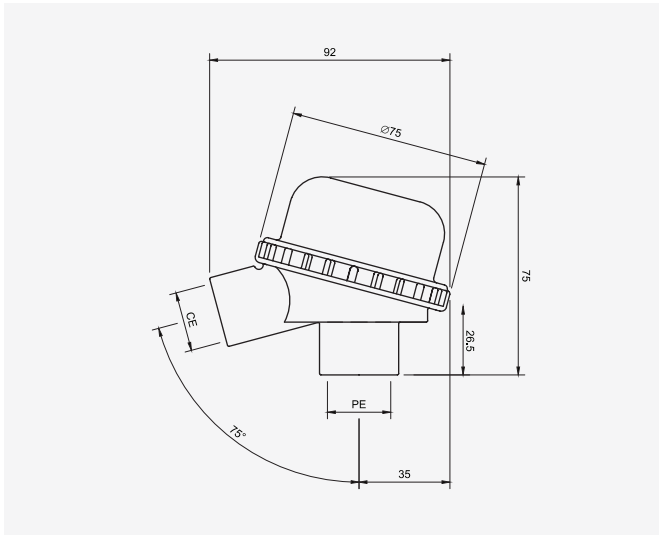


# Type 8

## Connection Head

Connection Heads



The Type 8 connection head is manufactured from plastic and can be specified with either a M24 x 1.5 or 1/2" BSPP probe entry. This plastic housing can be fitted with most types of ceramic terminal block or DIN standard transmitters and is weatherproof to IP54.

<b>Material</b>	Plastic
<b>Cable Entry</b>	M20 x 1.5
<b>Probe Entry</b>	M24 x 1.5 or 1/2" BSPP
<b>IP Rating</b>	IP54
<b>Approvals</b>	-
<b>Termination</b>	Terminal Block / Transmitter
<b>Weight (Kg)</b>	0.075