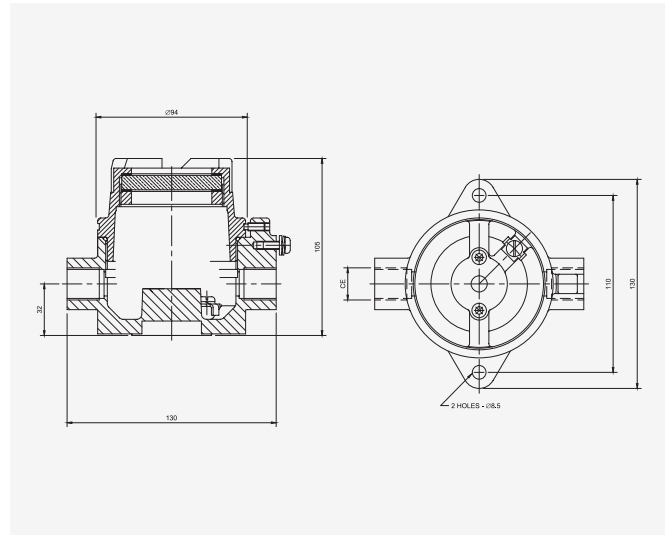


Type 53/1/3

Junction BOX ATEX Exia / ATEX Exd / IECEx Exd

Junction Boxes



The Type 53/1/3 housing is manufactured from high quality 316 stainless steel and because of the glass window is the perfect enclosure for our HBS16001, HBS16001/X and HBS16004/X indicators. This stainless steel housing can be fitted with most types of ceramic terminal block or DIN standard transmitter and is weatherproof to IP68. If required this connection head can be supplied with ATEX Exia approval for use within intrinsically safe environments or ATEX Exd or IECEx Exd for use within explosive atmospheres. Additional options include either a M20 x 1.5 or 1/2" NPT cable entries.

Material	316 Stainless Steel
Cable Entry	M20 x 1.5 or 1/2" NPT
IP Rating	IP68
Approvals	ATEX Exia, ATEX Exd, IECEx Exd
Termination	Terminal Block / Transmitter / Indicator
Weight (Kg)	2.8

Approval	Classification	Certificate #
ATEX Exia	⚠ II 1 GD	Sira 11ATEX2153X
ATEX Exd	⚠ II 2 GD Tamb +55°C to +170°C	Sira 00ATEX1029
IECEx Exd	Ex d IIC T6 Gb Ex t IIC T85°C Db IP68 Tamb +55°C to +170°C	IECEx SIR 09.0104