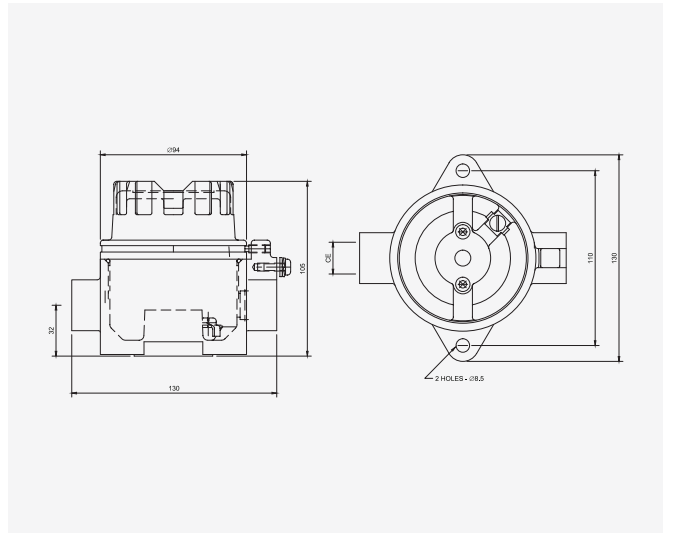


Type 53/0/1

Junction BOX ATEX Exia / ATEX Exd / IECEx Exd

Junction Boxes



The Type 53/0/1 housing is manufactured from high quality aluminium with a tough epoxy painted finish and can be used as a junction box or connection head. This aluminium housing can be fitted with most types of ceramic terminal block or DIN standard transmitter and is weatherproof to IP68. If required this enclosure can be supplied with ATEX Exia approval for use within intrinsically safe environments or ATEX Exd or IECEx Exd for use within explosive atmospheres. Additional options include either a M20 x 1.5 or 1/2" NPT cable entries.

Material	Aluminium
Cable Entry	M20 x 1.5 or 1/2" NPT
IP Rating	IP68
Approvals	ATEX Exia, ATEX Exd, IECEx Exd
Termination	Terminal Block / Transmitter
Weight (Kg)	0.85

Approval	Classification	Certificate #
ATEX Exia	⚠ II 1 GD	Sira 11ATEX2153X
ATEX Exd	⚠ II 2 GD Tamb +55°C to +170°C	Sira 00ATEX1029
IECEx Exd	Ex d IIC T6 Gb Ex t IIC T85°C Db IP68 Tamb +55°C to +170°C	IECEx SIR 09.0104