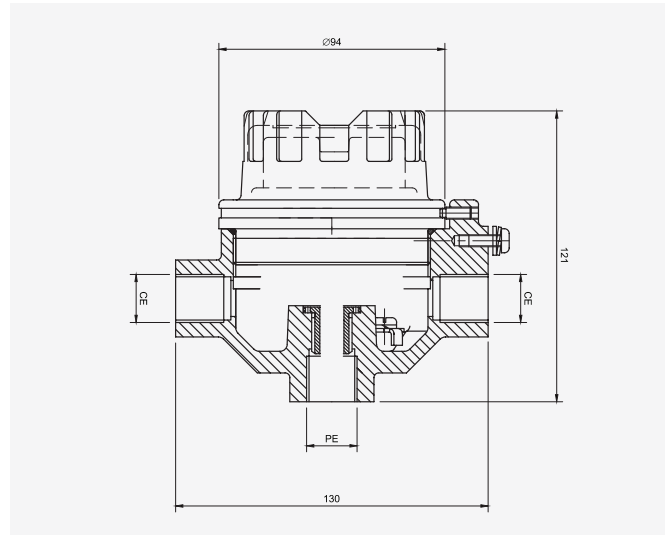


Type 51/1/1

Connection Head ATEX Exia / ATEX Exd / IECEx Exd

Connection Heads



The Type 51/1/1 dual entry connection head is manufactured from high quality 316 stainless steel. This stainless steel housing can be fitted with most types of ceramic terminal block or DIN standard transmitter and is weatherproof to IP68. If required this connection head can be supplied with ATEX Exia approval for use within intrinsically safe environments or ATEX Exd or IECEx Exd for use within explosive atmospheres when manufactured as part of an assembly by H&B Sensors. Additional options include either a M20 x 1.5 or 1/2" NPT cable entry and either a 1/2" BSPP or 1/2" NPT probe entry.

Material	316 Stainless Steel
Cable Entry	M20 x 1.5 or 1/2" NPT
Probe Entry	1/2" BSPP or 1/2" NPT
IP Rating	IP68
Approvals	ATEX Exia, ATEX Exd, IECEx Exd
Termination	Terminal Block / Transmitter
Weight (Kg)	2.4

Approval	Classification	Certificate #
ATEX Exia	⚡ II 1 GD	Sira 11ATEX2153X
ATEX Exd	⚡ II 2 GD Tamb +55°C to +170°C	Sira 00ATEX1029
IECEx Exd	Ex d IIC T6 Gb Ex t IIC T85°C Db IP68 Tamb +55°C to +170°C	IECEx SIR 09.0104