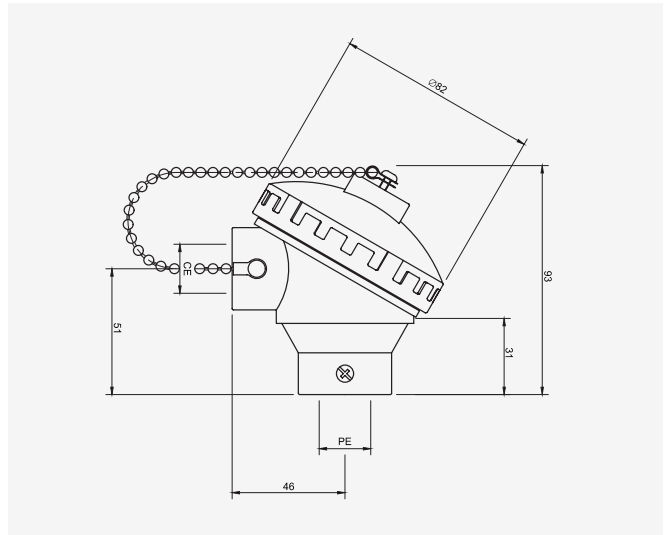


# Type 49

## Connection Head

Connection Heads



The Type 49 connection head is manufactured from high quality aluminium and is also sometimes known as a KNE connection head. This aluminium housing can be fitted with most types of ceramic terminal block or DIN standard transmitter and is weatherproof to IP68. Additional options include either a M24 x 1.5 or 1/2" BSPP threaded probe entry.

<b>Material</b>	Aluminium
<b>Cable Entry</b>	M20 x 1.5
<b>Probe Entry</b>	M24 x 1.5 or 1/2" BSPP
<b>IP Rating</b>	IP68
<b>Approvals</b>	-
<b>Termination</b>	Terminal Block / Transmitter
<b>Weight (Kg)</b>	0.26