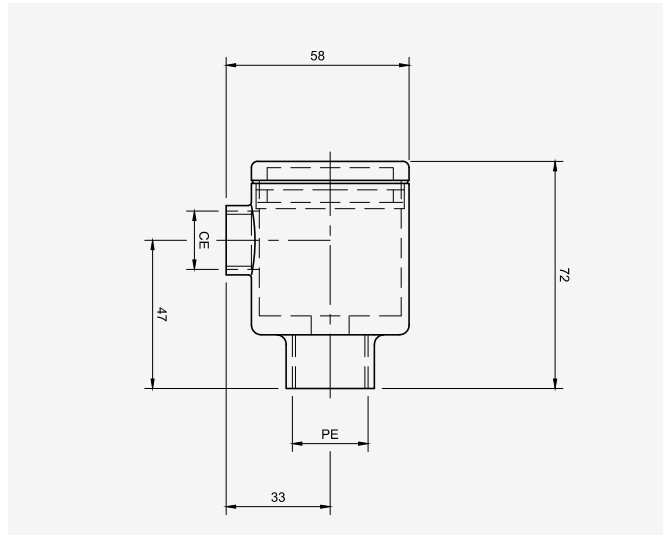


Type 48

Connection Head

Connection Heads



The Type 48 connection head is manufactured from 316 stainless steel. This stainless steel housing can be fitted with most types of ceramic terminal block or DIN standard transmitter and is weatherproof to IP65.

Material	316 Stainless Steel
Cable Entry	PG11
Probe Entry	M24 x 1.5
IP Rating	IP65
Approvals	-
Termination	Terminal Block / Transmitter
Weight (Kg)	0.3