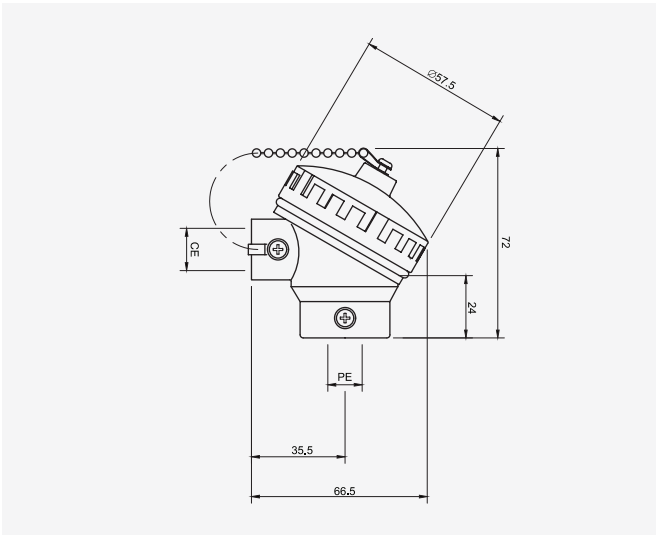


Type 47

Connection Head

Connection Heads



The Type 47 connection head is manufactured from high quality aluminium and is also sometimes known as a KSE connection head. This aluminium housing is weatherproof to IP68 but due to its compact size the only termination option available is a terminal block due to internal size restrictions. Additional options include either a M16 x 1.5 or 1/4" BSPP threaded probe entry. A chain is supplied which connects the body and lid.

Material	Aluminium
Cable Entry	M16 x 1.5
Probe Entry	M16 x 1.5 or 1/4" BSPP
IP Rating	IP68
Approvals	-
Termination	Terminal Block
Weight (Kg)	0.14