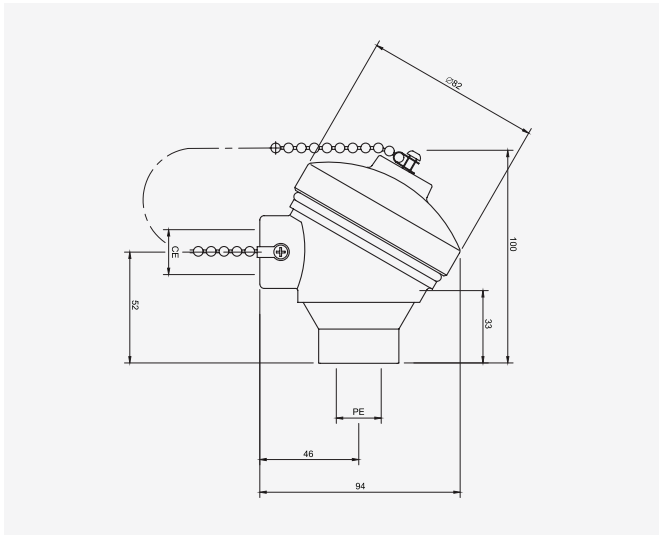


Type 44

Connection Head

Connection Heads



The Type 44 connection head is manufactured from 316 stainless steel and is also sometimes known as a LS connection head. This stainless steel housing can be fitted with most types of ceramic terminal block or DIN standard transmitter and is weatherproof to IP68. A chain is supplied which connects the lid and body.

Material	316 Stainless Steel
Cable Entry	M20 x 1.5
Probe Entry	1/2" BSPP
IP Rating	IP68
Approvals	-
Termination	Terminal Block / Transmitter
Weight (Kg)	0.78