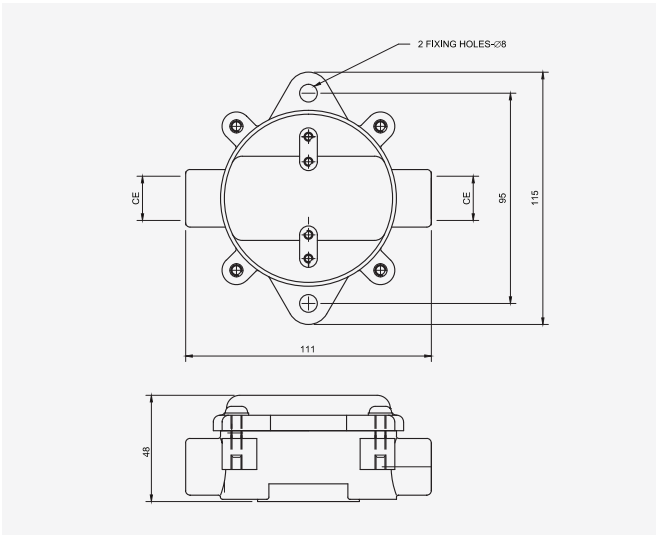


# Type 40 Junction Box

Junction Boxes



The Type 40 housing is manufactured from high quality aluminium with a tough polyester powder coated finish and can be used as a junction box or connection head. This aluminium housing can be fitted with most types of ceramic terminal block or DIN standard transmitter and is weatherproof to IP65.

<b>Material</b>	Aluminium
<b>Cable Entry</b>	M20 x 1.5
<b>IP Rating</b>	IP65
<b>Approvals</b>	-
<b>Termination</b>	Terminal Block / Transmitter
<b>Weight (Kg)</b>	0.19