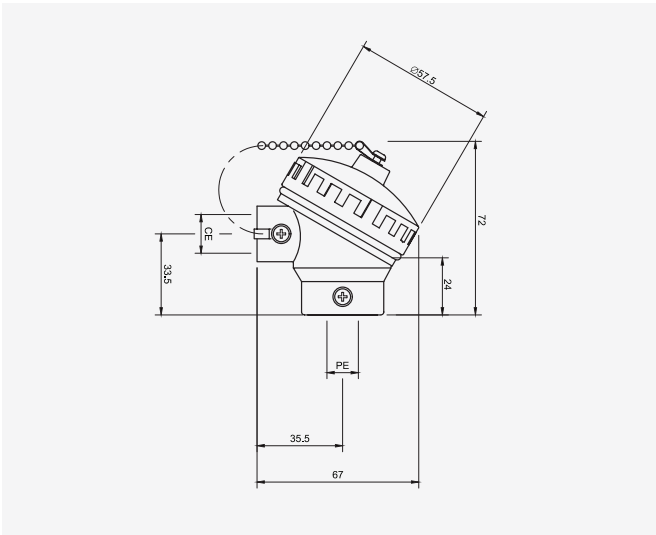


Type 37

Connection Head

Connection Heads



The Type 37 connection head is manufactured from 316 stainless steel and is also sometimes known as a SS connection head. This stainless steel housing is weatherproof to IP65 but due to its compact size the only termination option available is a terminal block due to internal size restrictions.

Material	316 Stainless Steel
Cable Entry	M16 x 1.5
Probe Entry	1/4" BSPP
IP Rating	IP65
Approvals	-
Termination	Terminal Block
Weight (Kg)	0.43