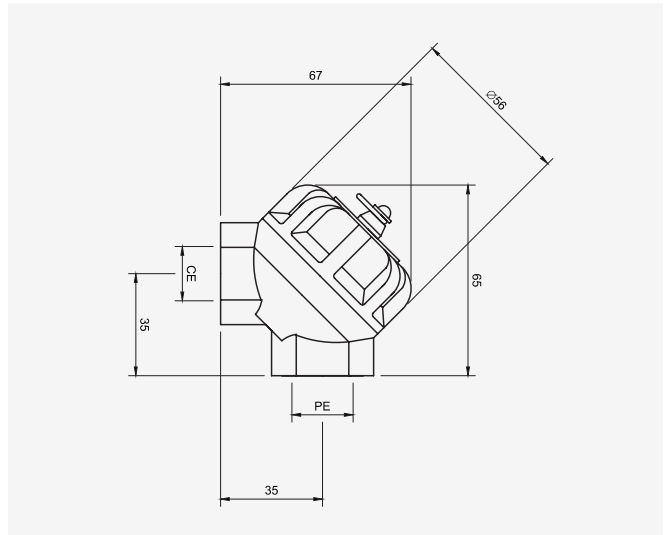


Type 3

Connection Head

Connection Heads



The Type 3 connection head is manufactured from fibreglass and is weatherproof to IP54. Due to the compact size of this fibreglass housing the only termination option available is a terminal block due to internal size restrictions. A chain is supplied which connects the lid and body.

Material	Fibreglass
Cable Entry	PG11
Probe Entry	1/2" BSPP
IP Rating	IP54
Approvals	-
Termination	Terminal Block
Weight (Kg)	0.016