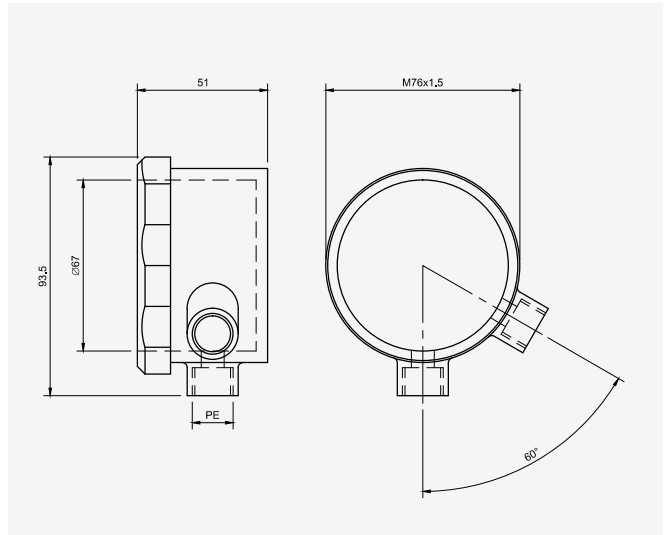


Type 29

Connection Head

Connection Heads



The Type 29 connection head is manufactured from 316 stainless steel with a high polish finish and is weatherproof to IP67. This housing is suitable for an HBS16001 loop powered indicator and can be fitted with most types of ceramic terminal block or DIN standard transmitter. If required this housing can be specified with a surface mounting plate for easy attachment to a wall or similar surface.

Material	316 Stainless Steel
Cable Entry	M16 x 1.5
Probe Entry	M16 x 1.5
IP Rating	IP67
Approvals	-
Termination	Terminal Block / Transmitter / Indicator
Weight (Kg)	0.59