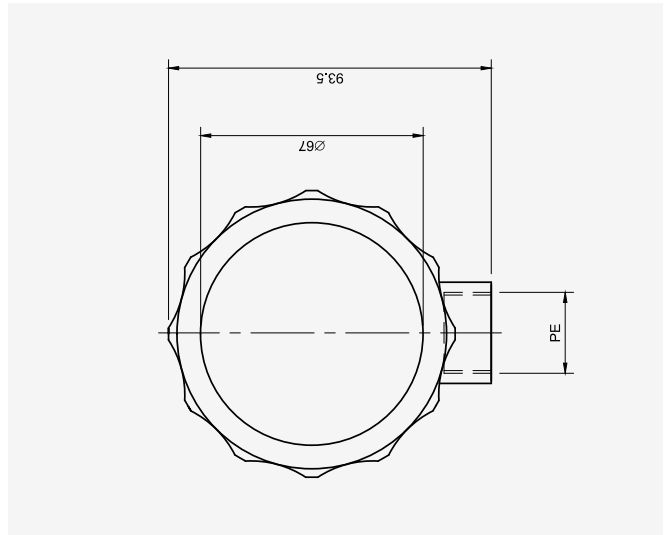


# Type 27

## Connection Head



The Type 27 connection head is manufactured from 316 stainless steel with a high polish finish and is weatherproof to IP67. This housing is suitable for the HBS16000 battery powered indicator and provides a forward facing projection. If required this housing can be specified with a surface mounting plate for easy attachment to a wall or similar surface.

<b>Material</b>	316 Stainless Steel
<b>Cable Entry</b>	-
<b>Probe Entry</b>	M16 x 1.5
<b>IP Rating</b>	IP67
<b>Approvals</b>	-
<b>Termination</b>	Indicator
<b>Weight (Kg)</b>	0.52