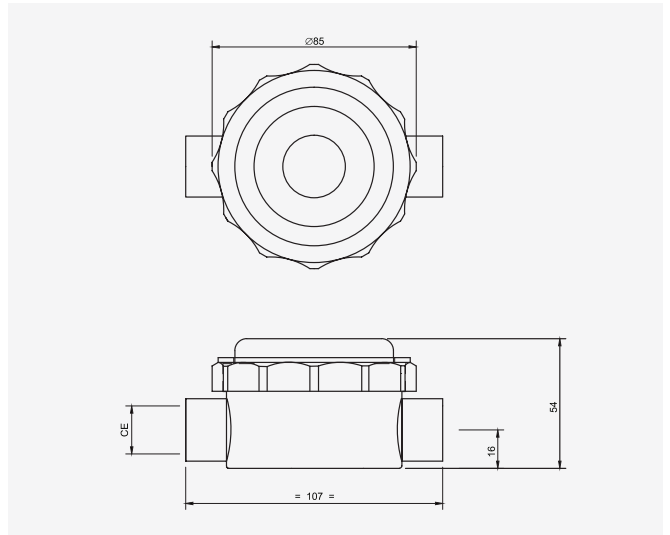


Type 25

Junction Box

Junction Boxes



The Type 25 housing is manufactured from plastic and can be used as a junction box or connection head. This plastic housing can be fitted with most types of ceramic terminal block or DIN standard transmitter and is weatherproof to IP67. Additional options include M20 x 1.5, M24 x 1.5, 1/2" BSPP or 1/2" NPT cable entries.

| | |
|--------------------|---|
| Material | Plastic |
| Cable Entry | M20 x 1.5, M24 x 1.5, 1/2" BSPP or 1/2" NPT |
| IP Rating | IP67 |
| Approvals | - |
| Termination | Terminal Block / Transmitter |
| Weight (Kg) | 0.01 |