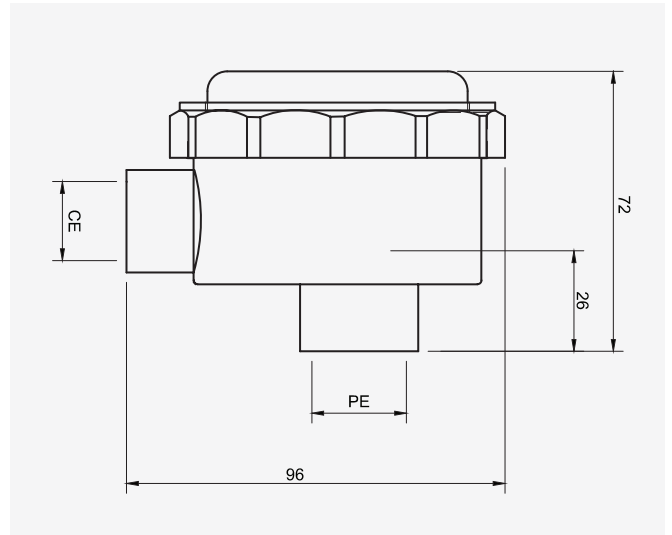


Type 24/3

Connection Head



The Type 24/3 connection head is manufactured from UV rated ABS plastic and is weatherproof to IP67. This housing is suitable for an HBS16001 loop powered indicator and can be fitted with most types of ceramic terminal block or DIN standard transmitter. There are a number of probe entries available which include M20 x 1.5, M24 x 1.5, 1/2" BSPP and 1/2" NPT threads.

Material	Plastic
Cable Entry	M20 x 1.5, M24 x 1.5, 1/2" BSPP or 1/2" NPT
Probe Entry	M20 x 1.5, M24 x 1.5, 1/2" BSPP or 1/2" NPT
IP Rating	IP67
Approvals	-
Termination	Terminal Block / Transmitter / Indicator
Weight (Kg)	0.01