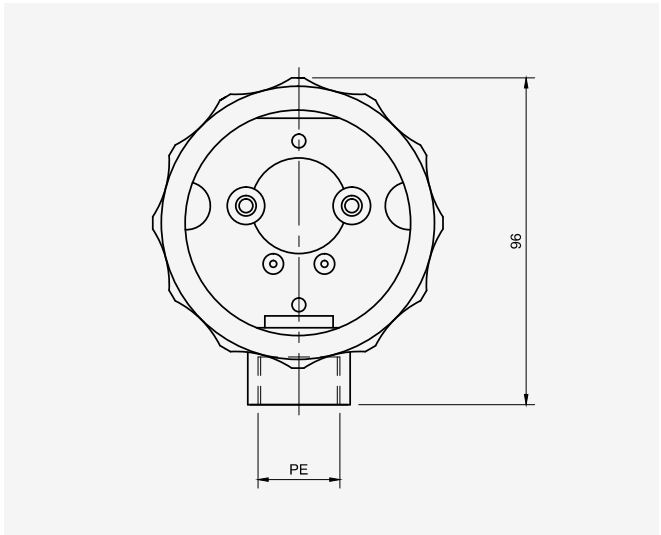


Type 24/1

Connection Head

Connection Heads



The Type 24/1 connection head is manufactured from UV rated ABS plastic and is weatherproof to IP67. This housing is suitable for the HBS16000 battery powered indicator and provides a forward facing projection. There are a number of probe entries available which include M20 x 1.5, M24 x 1.5, 1/2" BSP and 1/2" NPT threads.

Material	Plastic
Cable Entry	-
Probe Entry	M20 x 1.5, M24 x 1.5, 1/2" BSP or 1/2" NPT
IP Rating	IP67
Approvals	-
Termination	Indicator
Weight (Kg)	0.01