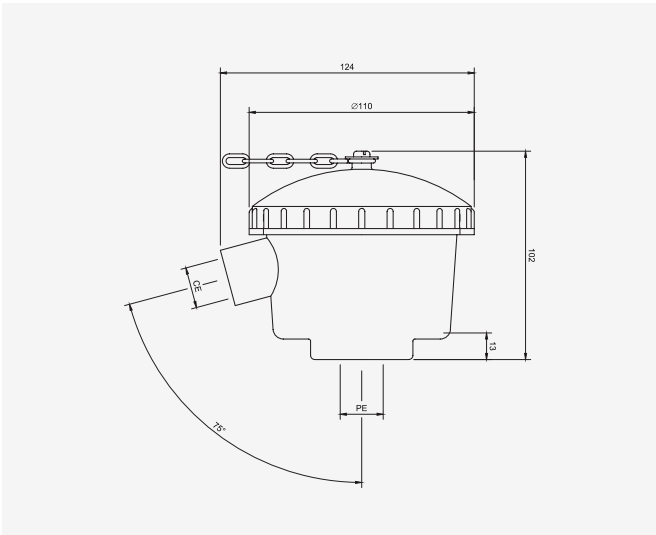


# Type 19

## Connection Head

Connection Heads



The Type 19 connection head is manufactured from heavy duty DMC (Dough Moulding Compound). This DMC housing can be fitted with most types of ceramic terminal block or DIN standard transmitter and is weatherproof to IP65. The DMC construction ensures resilience to a majority of chemicals and corrosive atmospheres.

<b>Material</b>	DMC
<b>Cable Entry</b>	M20 x 1.5
<b>Probe Entry</b>	1/2" BSPP
<b>IP Rating</b>	IP65
<b>Approvals</b>	-
<b>Termination</b>	Terminal Block / Transmitter
<b>Weight (Kg)</b>	0.034