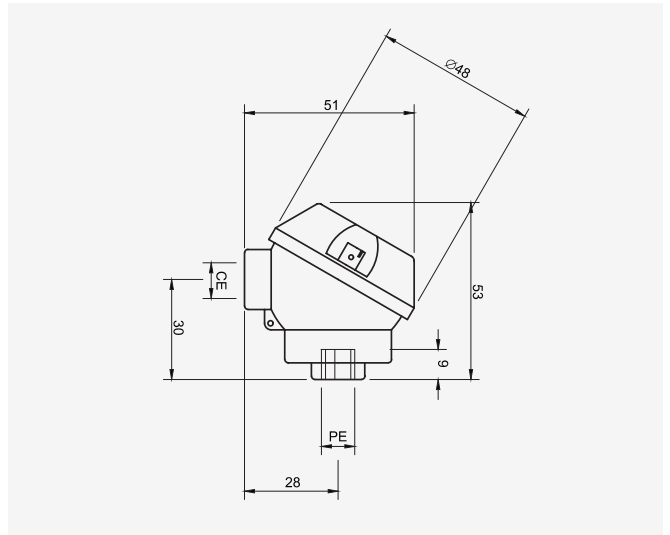


Type 17

Connection Head

Connection Heads



The Type 17 connection head is manufactured from high quality aluminium and is also sometimes known as a MA or MAA connection head. This aluminium housing is weatherproof to IP66 but due to its compact size the only termination option available is a terminal block due to internal size restrictions.

Material	Aluminium
Cable Entry	M16 x 1.5
Probe Entry	1/8" BSPP
IP Rating	IP66
Approvals	-
Termination	Terminal Block
Weight (Kg)	0.076