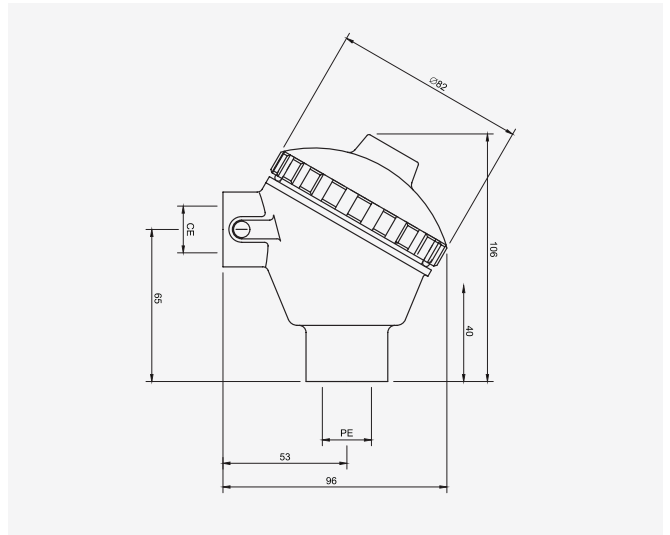


Type 15

Connection Head

Connection Heads



The Type 15 connection head is manufactured from high quality aluminium and is also sometimes known as a KNL-E connection head. This aluminium housing can be fitted with most types of ceramic terminal block or DIN standard transmitter and is weatherproof to IP68. A chain is supplied which connects the lid and body.

Material	Aluminium
Cable Entry	M20 x 1.5
Probe Entry	1/2" BSPP
IP Rating	IP68
Approvals	-
Termination	Terminal Block / Transmitter
Weight (Kg)	0.032