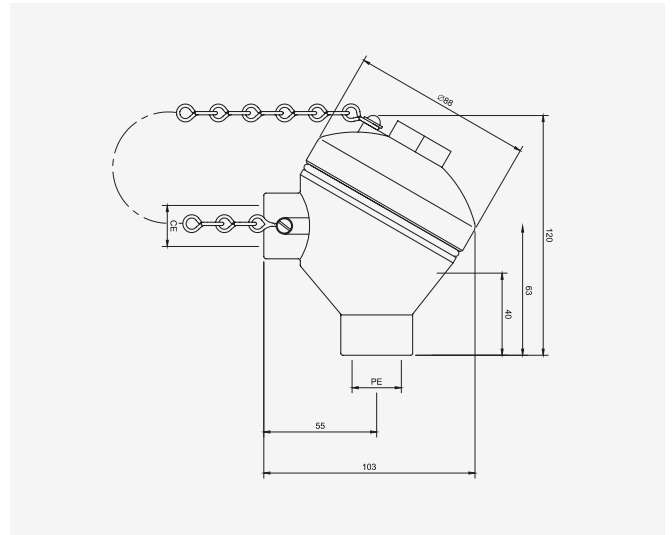


# Type 11

## Connection Head ATEX Exia

Connection Heads



The Type 11 connection head is manufactured from high quality aluminium with a tough silver epoxy painted finish and includes a safety chain. This aluminium housing can be fitted with most types of ceramic terminal block or DIN standard transmitter and is weatherproof to IP65. If required this connection head can be supplied with ATEX Exia approval for use within intrinsically safe environments when manufactured as part of an assembly by H&B Sensors. Additional options include either a M24 x 1.5 or 1/2" BSPP threaded probe entry.

<b>Material</b>	Aluminium
<b>Cable Entry</b>	M20 x 1.5
<b>Probe Entry</b>	M24 x 1.5 or 1/2" BSPP
<b>IP Rating</b>	IP65
<b>Approvals</b>	ATEX Exia
<b>Termination</b>	Terminal Block / Transmitter
<b>Weight (Kg)</b>	0.4

Approval	Classification	Certificate #
ATEX Exia	II 1 G	BSI 06 ATEX 2501284X