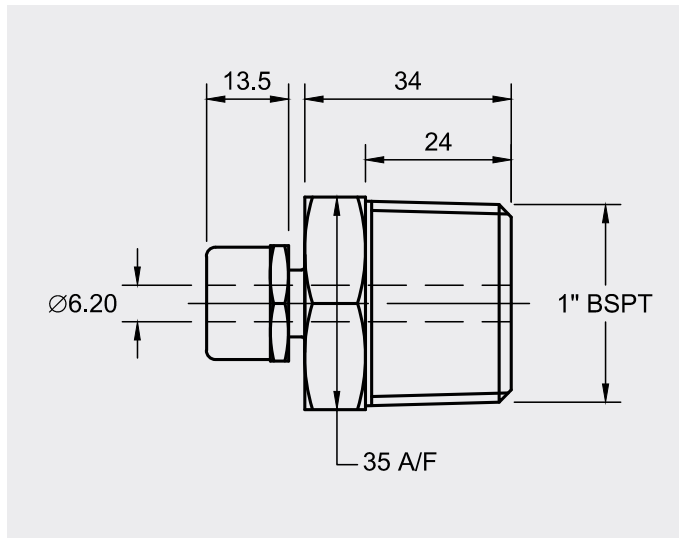


# HBS/4/6600/21

## Compression Fittings

Stainless Steel Fittings



The HBS/4/6600/21 ATEX Exd compression fitting is manufactured from high quality 316 stainless steel. This fitting has a 1" BSPT thread and is suitable for use with 6mm diameter mineral insulated cable.

|                    |                     |
|--------------------|---------------------|
| <b>Material</b>    | 316 Stainless Steel |
| <b>Thread Size</b> | 1" BSPT             |
| <b>Bore Ø</b>      | 3mm                 |
| <b>Approvals</b>   | ATEX Exd            |

| Approval | Classification | Certificate #   |
|----------|----------------|-----------------|
| ATEX Exd | II 2 GD        | Sira 08ATEX1242 |