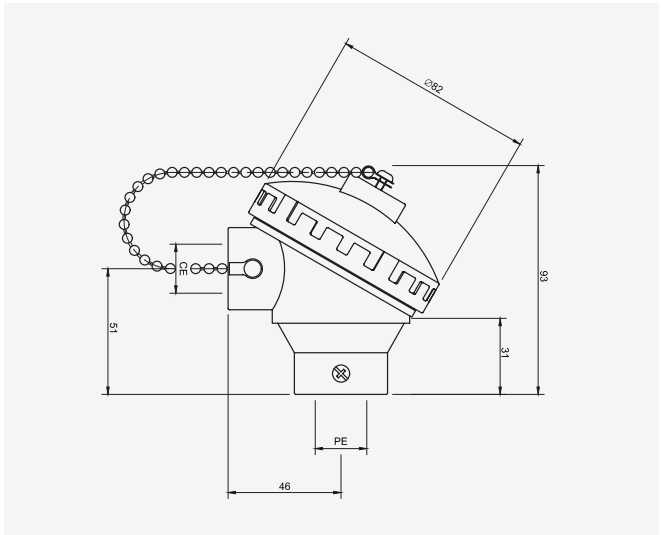


Type 46/W

Connection Head

Connection Heads



The Type 46/W white connection head is manufactured from polypropylene plastic and is FDA approved, it also sometimes known as a KPP connection head. This plastic housing can be fitted with most types of ceramic terminal block or DIN standard transmitter and is weatherproof to IP68. This head is ideal for hygienic applications and is fitted with a chain which secures the lid to the body.

Material	Plastic
Cable Entry	M20 x 1.5
Probe Entry	1/2" BSPP
IP Rating	IP68
Approvals	FDA
Termination	Terminal Block / Transmitter
Weight (Kg)	0.13