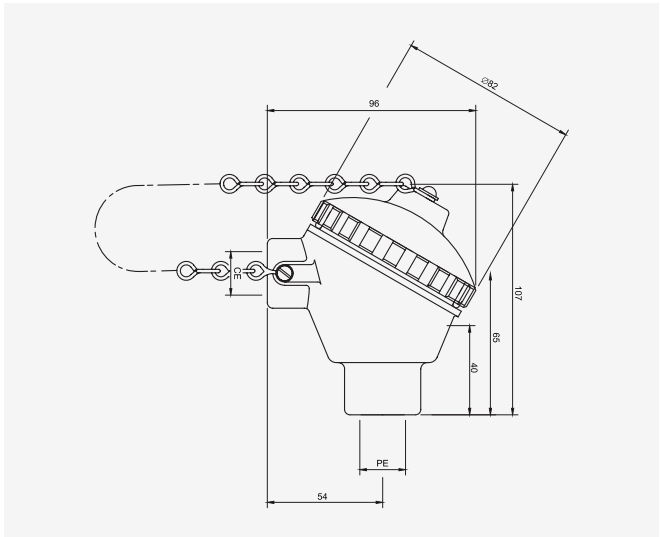


Type 21

Connection Head

Connection Heads



The Type 21 connection head is manufactured from cast iron and is also sometimes known as a KI connection head. This cast iron housing can be fitted with most types of ceramic terminal block or DIN standard transmitter and is weatherproof to IP68. A chain is supplied which connects the lid and body. This connection head is ideal for rugged and difficult environments.

Material	Cast Iron
Cable Entry	M20 x 1.5
Probe Entry	1/2" BSPP
IP Rating	IP67
Approvals	-
Termination	Terminal Block / Transmitter
Weight (Kg)	1.1