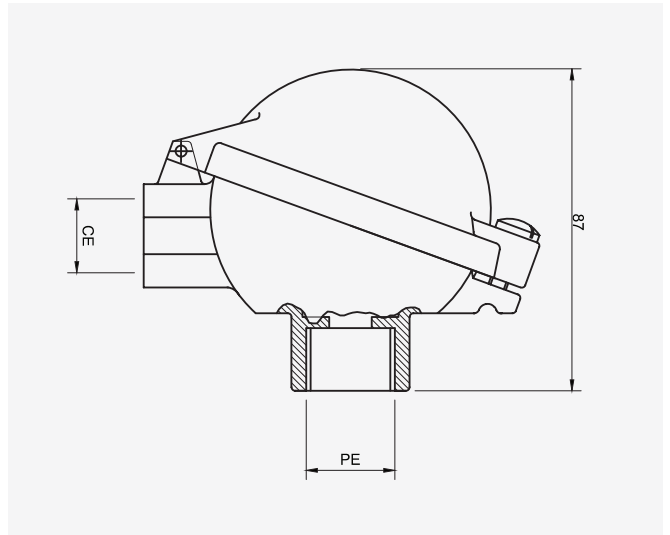


Type 16

Connection Head

Connection Heads



The Type 16 connection head is manufactured from high quality aluminium and is sometimes known as a BUZ or DANA connection head. This aluminium housing can be fitted with most types of ceramic terminal block or DIN standard transmitter and is weatherproof to IP68. There are two probe entries available which include M24 x 1.5 or 1/2" BSPP threads. The screwed hinged lid allows for easy access to the sensor and termination.

Material	Aluminium
Cable Entry	M20 x 1.5
Probe Entry	M24 x 1.5 or 1/2" BSPP
IP Rating	IP68
Approvals	-
Termination	Terminal Block / Transmitter
Weight (Kg)	0.26