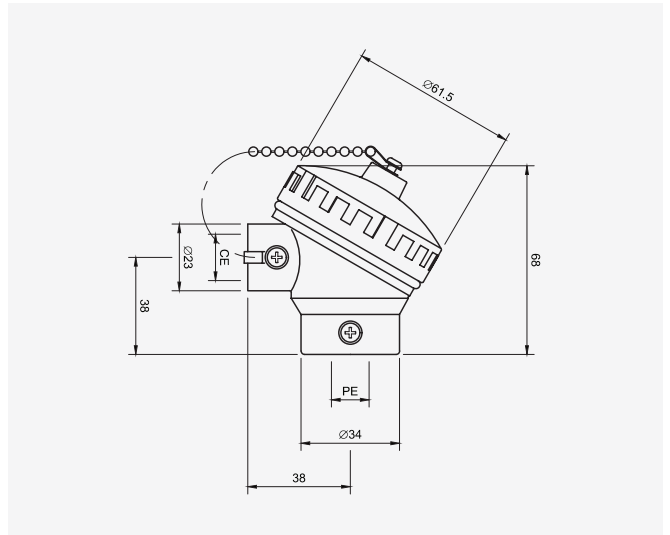


Type 43

Connection Head

Connection Heads



The Type 43 connection head is manufactured from plastic. This plastic housing is weatherproof to IP68 but due to its compact size the only termination option available is a terminal block due to internal size restrictions.

Material	Plastic
Cable Entry	M16 x 1.5
Probe Entry	1/4" BSPP
IP Rating	IP68
Approvals	-
Termination	Terminal Block
Weight (Kg)	0.9