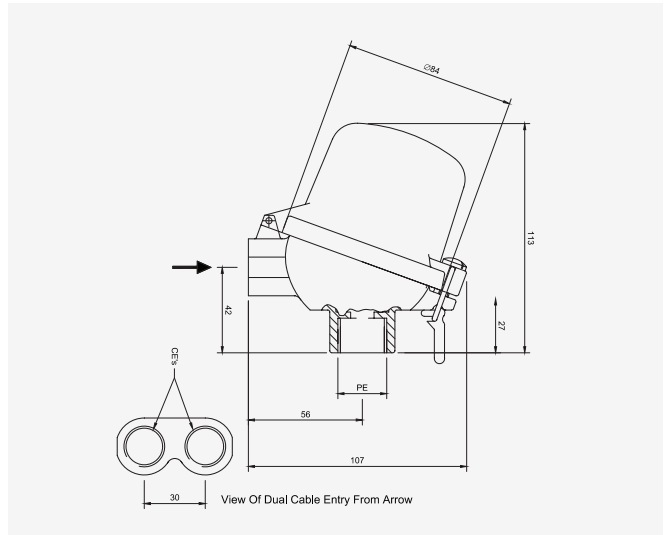


Type 39

Connection Head

Connection Heads



The Type 39 connection head is manufactured from high quality aluminium and is also sometimes known as a BUZ-H connection head. This aluminium housing benefits from two cable entries allowing for easy installation of duplex sensors. In addition this housing can accommodate up to two ceramic terminal blocks or DIN standard transmitters and is weatherproof to IP68. The screwed hinged lid allows for easy access to the sensor and termination.

Material	Aluminium
Cable Entry	X2 M20 x 1.5
Probe Entry	1/2" BSPP
IP Rating	IP68
Approvals	-
Termination	Terminal Block / Transmitter
Weight (Kg)	0.37