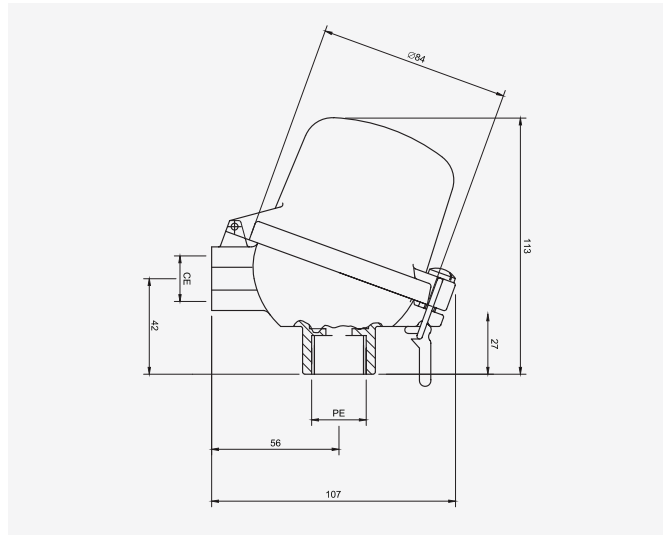


Type 38

Connection Head

Connection Heads



The Type 38 connection head is manufactured from high quality aluminium and is also sometimes known as a BUZ-H connection head. This aluminium housing can be fitted with most types of ceramic terminal block or DIN standard transmitter and is weatherproof to IP68. Additional options include either a M24 x 1.5 or 1/2" BSPP threaded probe entry. The screwed hinged lid allows for easy access to the sensor and termination.

Material	Aluminium
Cable Entry	M20 x 1.5
Probe Entry	M24 x 1.5 or 1/2" BSPP
IP Rating	IP68
Approvals	-
Termination	Terminal Block / Transmitter
Weight (Kg)	0.32