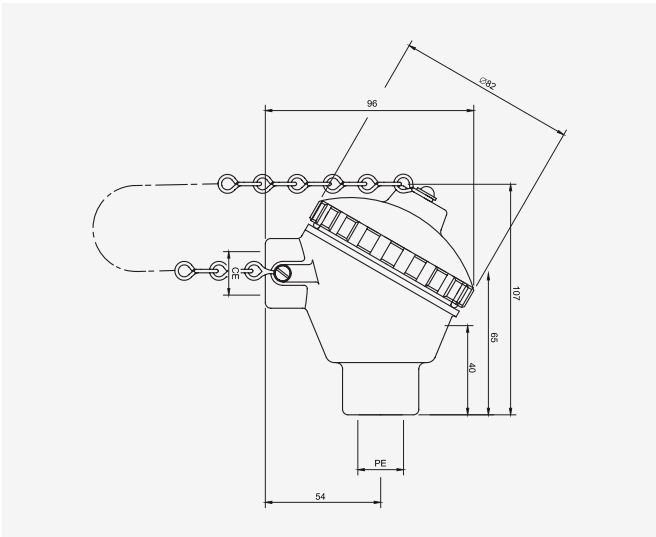


# Type 21

## Connection Head

Connection Heads



The Type 21 connection head is manufactured from cast iron and is also sometimes known as a KI connection head. This cast iron housing can be fitted with most types of ceramic terminal block or DIN standard transmitter and is weatherproof to IP68. A chain is supplied which connects the lid and body. This connection head is ideal for rugged and difficult environments.

<b>Material</b>	Cast Iron
<b>Cable Entry</b>	M20 x 1.5
<b>Probe Entry</b>	1/2" BSPP
<b>IP Rating</b>	IP67
<b>Approvals</b>	-
<b>Termination</b>	Terminal Block / Transmitter
<b>Weight (Kg)</b>	1.1