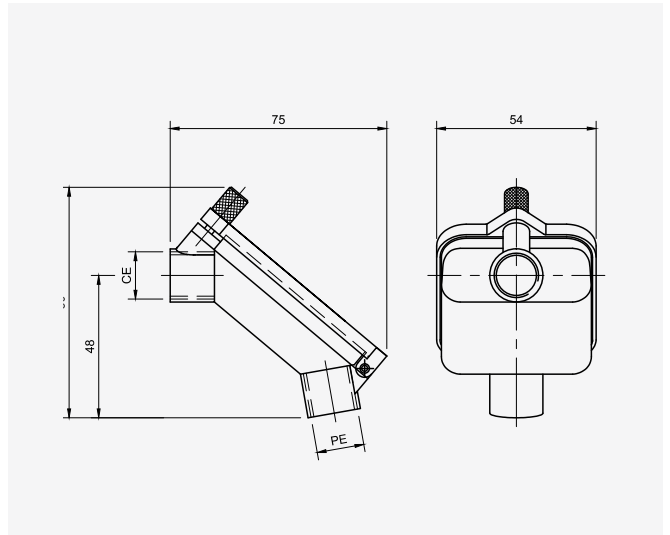


Type 2 Connection Head



This Type 2 connection head is manufactured from high quality aluminium and is also sometimes known as KAA connection head. Due to the compact size of this aluminium housing the only termination option available is a terminal block due to internal size restrictions. The screwed hinged lid allows for easy access to the sensor and termination.

Material	Aluminium
Cable Entry	M16 x 1.5
Probe Entry	M16 x 1.5
IP Rating	-
Approvals	-
Termination	Terminal Block
Weight (Kg)	0.077