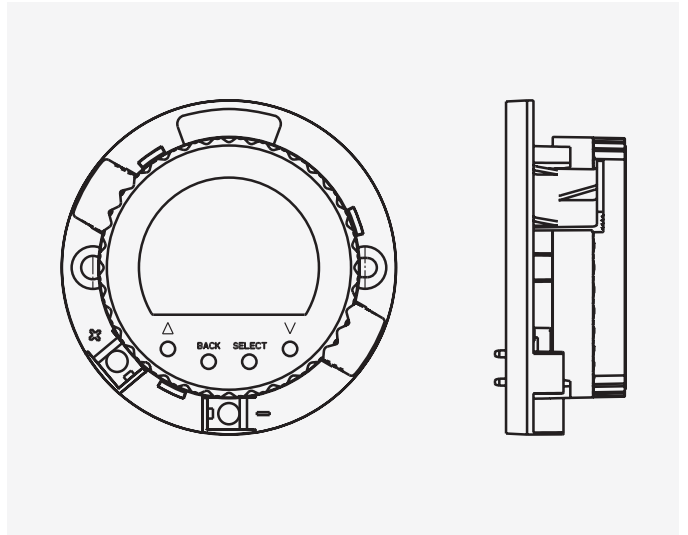


# HBS16004X

## LCD Loop Powered Indicator

Indicators



The HBS16004X is a loop powered LCD indicator. Powered by the current loop, the HBS16004X indicates the process value and in addition offers superimposed HART® communication between the connected transmitter and the control room. The indication range and units are automatically adopted dependent on the settings of the connected HART® transmitter. Min and Max process values can also be displayed.

### Environmental Conditions

<b>Ambient Storage Temperature</b>	(-20 to +85) °C
<b>Storage Temperature</b>	(-40 to +85) °C
<b>Humidity 35 ... 85 %</b>	RH (non-condensing)
<b>Vibration resistance</b>	3 g, per DIN EN 60068-2-6
<b>Shock resistance</b>	30 g, per DIN EN 60068-2-27

### Mechanical Specifications

<b>Dimensions</b>	Ø78mm x 28mm
<b>Weight approx</b>	80g

### Common Specifications

<b>Measuring rate</b>	4s
<b>Accuracy</b>	±0.1 % of the measuring span
<b>Temperature coefficient</b>	±0.1 % of the measuring span / 10 K
<b>Input signal</b>	4...20 mA
<b>Output signal</b>	analogue current signal is connected through directly
<b>Permissible current load</b>	100 mA
<b>Voltage drop</b>	< DC 3 V (< DC 2 V at 20 mA); supply via current loop

### Display Specifications

<b>Display</b>	LCD, rotatable in 10° steps
<b>Measured value</b>	7-segment LCD, 5-digits, character size 9 mm
<b>Bar graph</b>	20-segment LCD
<b>Information line</b>	14-segment LCD, 6-digit, character size 5.5 mm
<b>Indication range</b>	-9999 ... 99999

### Approval

IECEX  
FM  
CSA  
GOST-R  
GOST