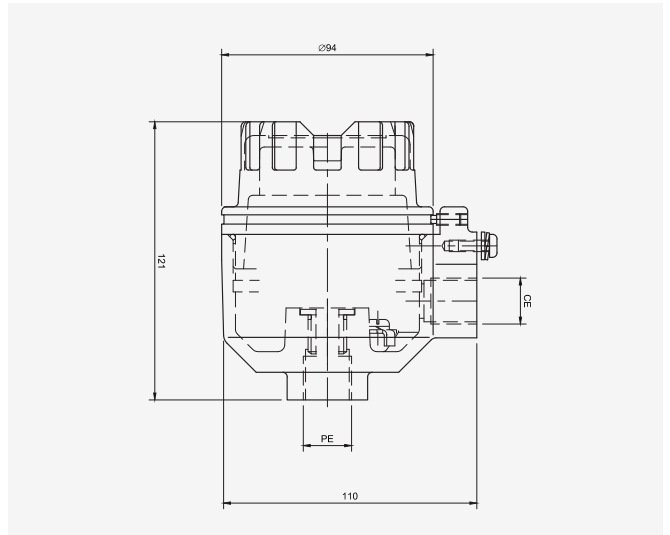


Type 50/0/1

Connection Head ATEX Exia / ATEX Exd / IECEx Exd

Connection Heads



The Type 50/0/1 Connection head is manufactured from high quality aluminium with a tough epoxy painted finish. The connection head can be fitted with most types of ceramic terminal block or DIN standard transmitters. Weatherproof to IP68, the connection head can also be certified ATEX Exia, ATEX Exd or IECEx Exd when manufactured as part of an assembly by H&B Sensors Ltd. Options include M20 or 1/2" NPT cable entries.

Material	Aluminium
Cable Entry	M20 x 1.5 or 1/2" NPT
Probe Entry	1/2" BSPP or 1/2" NPT
IP Rating	IP68
Approvals	ATEX Exia, ATEX Exd, IECEx Exd
Termination	Terminal Block / Transmitter
Weight (Kg)	0.75

Approval	Classification	Certificate #
ATEX Exia	⚡ II 1 GD	Sira 11ATEX2153X
ATEX Exd	⚡ II 2 GD Tamb +55°C to +170°C	Sira 00ATEX1029
IECEx Exd	Ex d IIC T6 Gb Ex t IIC T85°C Db IP68 Tamb +55°C to +170°C	IECEx SIR 09.0104